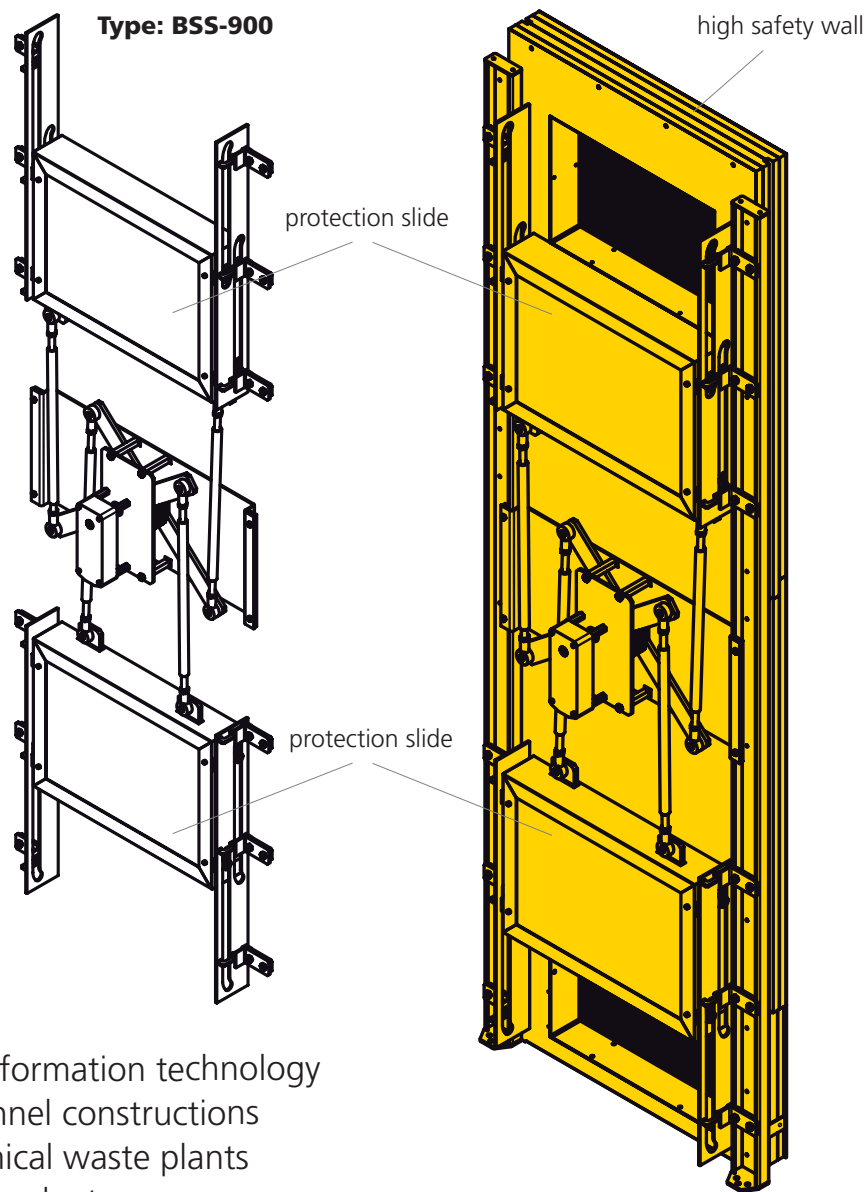


NEW GENERATION

FIRE- AND SMOKE-DAMPERS FOR VENTILATION DUCTS!

Features

- High protection against FIRE, SMOKE, INTRUSION...
- Low force slide moving through weight compensation (<20Nm)
- Spring return actuator for automatic close in case of fire and power failure
- Slides for special applications and specifications, e.g. for fire and radiation absorption



Applications

- Centers for information technology
- Tunnels or tunnel constructions
- Industry chemical waste plants
- Nuclear power plants

Patent No. EU 2030651 / Patent No. US 12/201,031
Inspection authority acc. to EN1366-4: Technische Universität München (TUM)

NEW GENERATION

FIRE- AND SMOKE-DAMPERS FOR VENTILATION DUCTS!

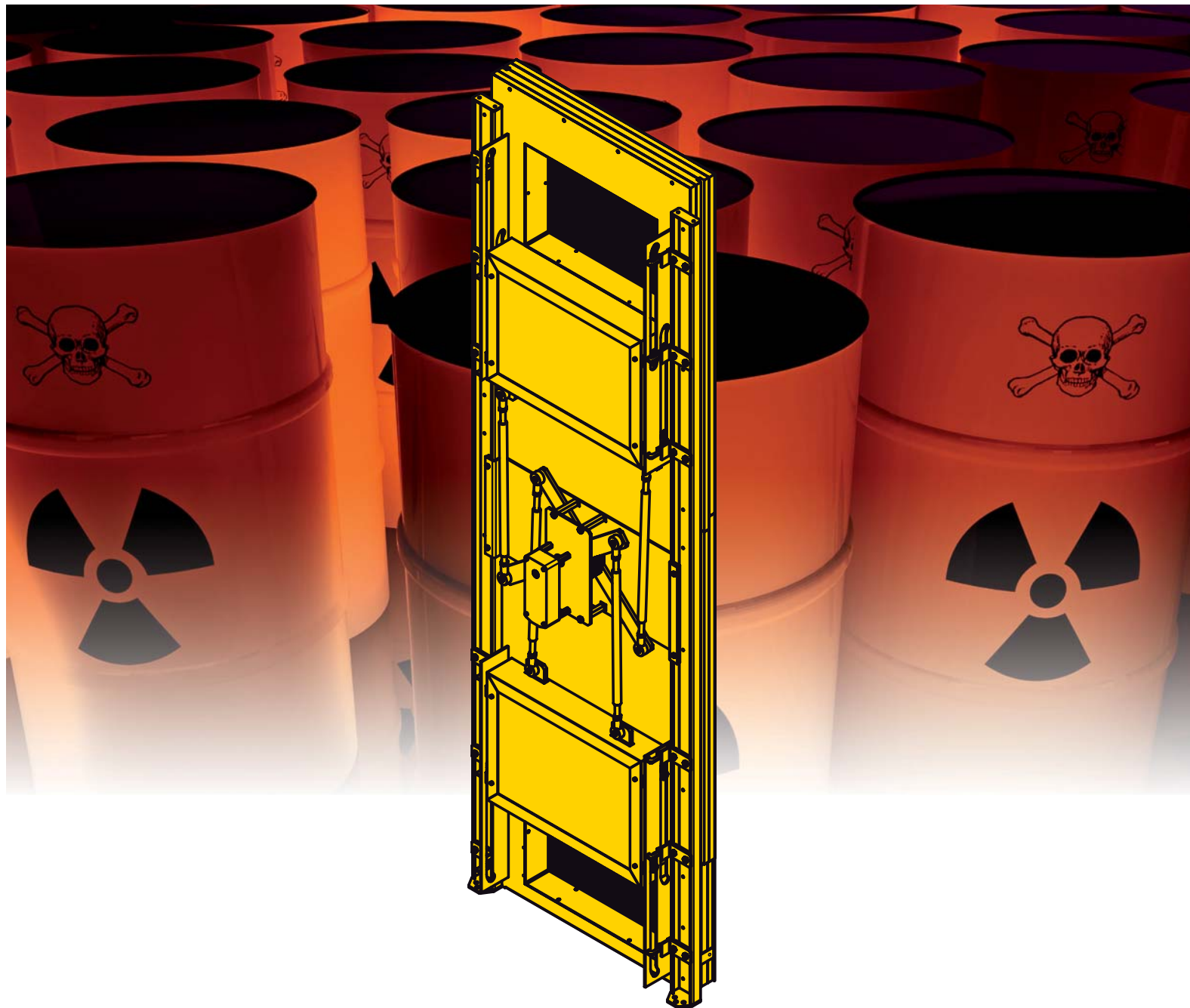
CENTERS FOR INFORMATION TECHNOLOGY



NEW GENERATION

FIRE- AND SMOKE-DAMPERS FOR VENTILATION DUCTS!

INDUSTRY
CHEMICAL WASTE PLANTS



 ERGATEC AG

www.ergatec.com info@ergatec.com

NEW GENERATION

FIRE- AND SMOKE-DAMPERS FOR VENTILATION DUCTS!

TUNNELS OR TUNNEL CONSTRUCTIONS

